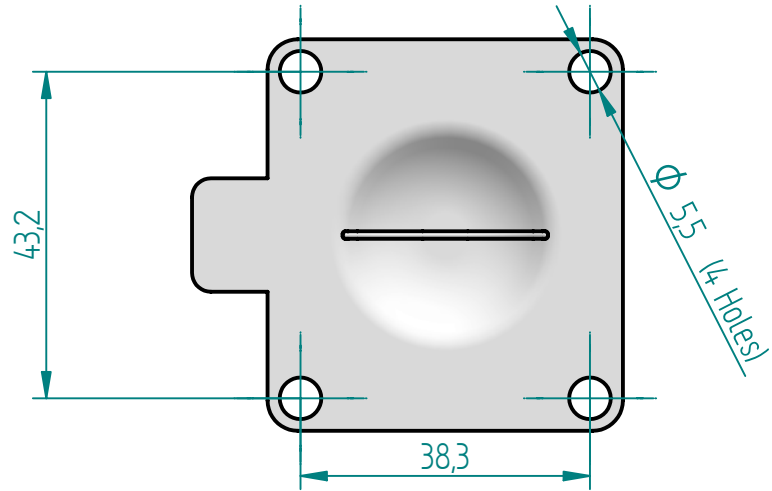
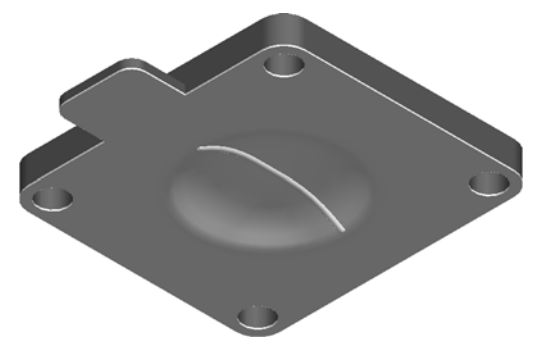
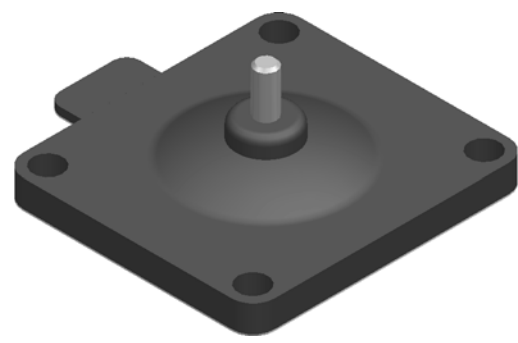


M4x0.7 INSERT SCREW




REVISION HISTORY

REV	DESCRIPTION	DATE	APPROVED
F	Kidney features removed from Dome.	12/03/22	JB



Replacement Diaphragm for :-
 OEM PART NR. = 600010-M-52
 USED ON 3/4" (DN10-15) Diaphragm Valve

	NAME	DATE	 DIAPHRAGM DIRECT
DRAWN	M. MC KEON	03/12/22	
CHECKED			
Material - <u>PTFE laminate EPDM</u> <u>- DIAPHRAGM</u> Complies with CFR 177.2600 and Conforms to USP Class VI Biological Reactivity Tests Section #87 and #88			TITLE <h1>DD07-GTFML</h1>
SIZE A	FOOT PRINT DIMENSIONS		REV F
SCALE: 1 : 1			Job: 50 SHEET 1 OF 1
FILE NAME: DD07-GTFML-F.dft			

Disclaimer- Diaphragm Direct® does not manufacture, represent, nor sell OEM valves or diaphragms manufactured by any other company. Diaphragm Direct® brand diaphragms are not sponsored by any other manufacturers. Any name, model, part number, brand, image, material or referral is for descriptive purposes only. Diaphragm Direct® brand replacement diaphragms are guaranteed to fit OEM equipment and meet or exceed OEM specifications. Diaphragm Direct® brand replacement diaphragms are covered by the standard Diaphragm Direct® limited product warranty.